
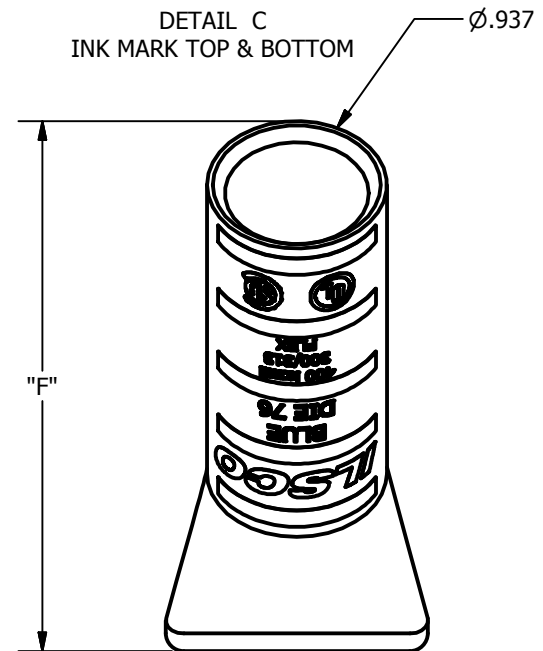
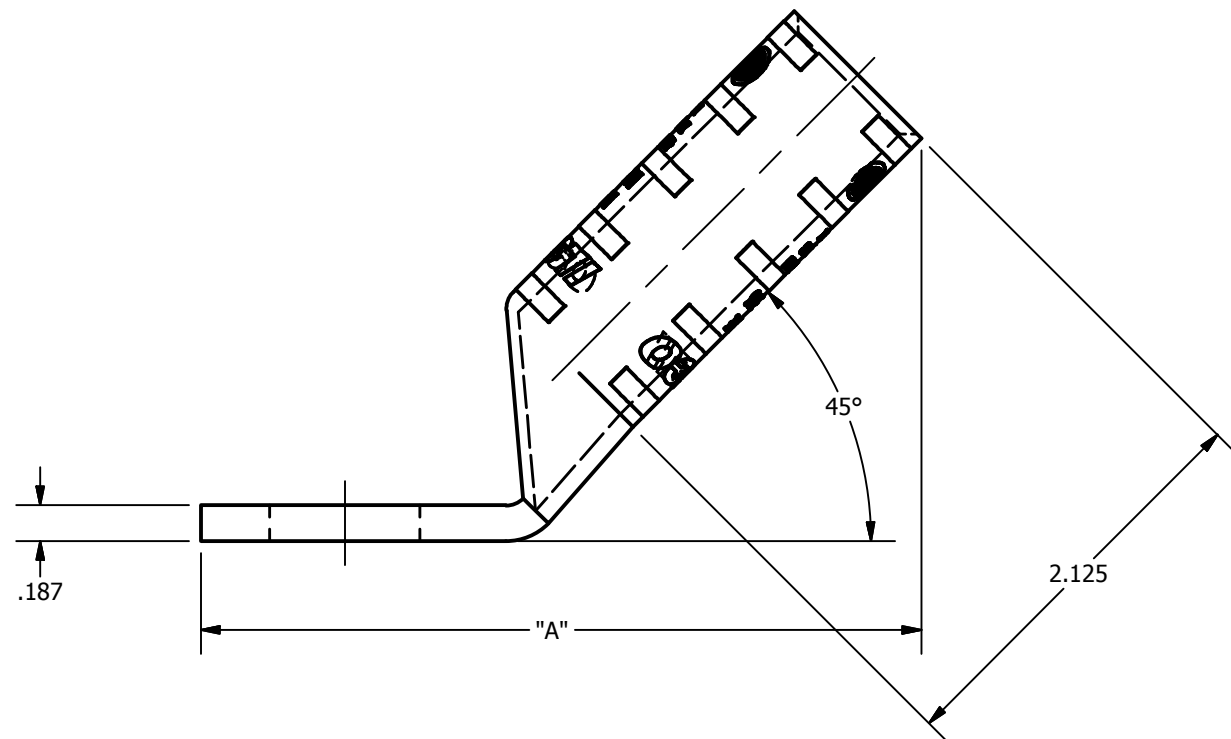
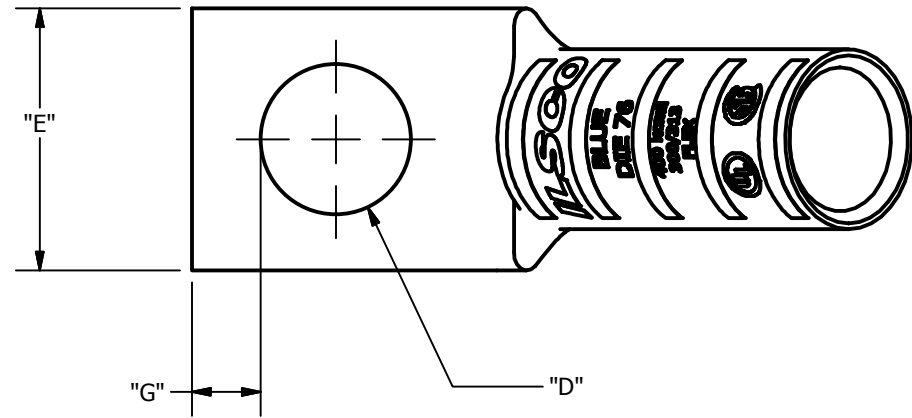


SCREW: NONE	MATERIAL: COPPER	REV: D	 800-776-9775 www.ilSCO.com
CAT. NO.: SEE CHART	PLATING: EL-TIN	DRAWN BY:DW SCALE: NTS	
INFORMATION SHEET:FORM 157	MARKING: SEE CHART	DATE:6/3/2008 SIZE: B	
			DWG NO: Y1403-S-4
			SHEET: 1 OF 1



CATALOG NUMBER	"A"	"D"	"E"	"F"	"G"	TANG MARKING
CLNB-400-14-4	3.068	0.281	1.365	2.774	0.180	UL, ILSCO, CSA, CLNB-400-14-4, 1/4, 400 kcmil, 300/313 FLEX, DIE 76
CLNB-400-12-4	3.443	0.562	1.365	2.774	0.265	UL, ILSCO, CSA, CLNB-400-12-4, 1/2, 400 kcmil, 300/313 FLEX, DIE 76
CLNB-400-58-4	3.630	0.656	1.365	2.774	0.343	UL, ILSCO, CSA, CLNB-400-58-4, 400 kcmil, 300/313 FLEX, DIE 76
CLNB-400-34-4	3.880	0.781	1.365	2.774	0.359	UL, ILSCO, CSA, CLNB-400-34-4, 3/4, 400 kcmil, 300/313 FLEX, DIE 76
CLNB-400-78-4	4.130	0.906	1.365	2.774	0.437	UL, ILSCO, CSA, CLNB-400-78-4, 7/8, 400 kcmil, 300/313 FLEX, DIE 76
CLNB-400-38-4	3.068	0.406	1.365	2.774	0.211	UL, ILSCO, CSA, CLNB-400-38-4, 3/8, 400 kcmil, 300/313 FLEX, DIE 76
CLNB-400-516-4	3.068	0.343	1.365	2.774	0.180	UL, ILSCO, CSA, CLNB-400-516-4, 5/16, 400 kcmil, 300/313 FLEX, DIE 76